

4x2 Advanced Multi Format Presentation Switcher

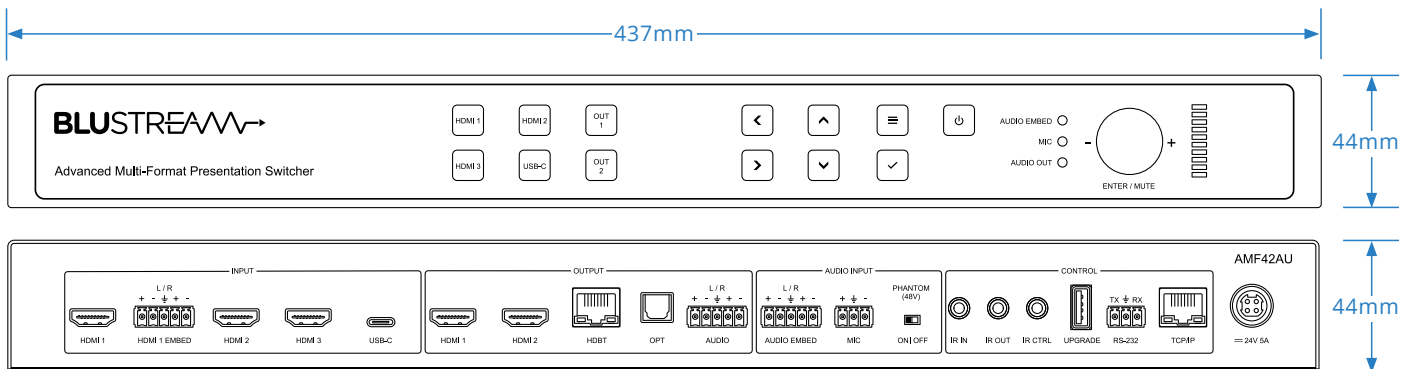
Description

Our AMF42AU is an advanced 4K 4x2 HDMI 2.0 4K 60Hz 4:4:4 HDCP 2.2 multi-format presentation switcher featuring 3 x HDMI2.0 and 1 x USB-C input to 2 x HDMI2.0 / 1 x HDBaseT™ output.

The AMF42AU provides enhanced features including seamless switching, independent video scaling on outputs, MIC input with audio mixing and 48V phantom power, PoC to power a Blustream compatible HDBaseT™ receiver.

The AMF42AU also features Web GUI for control and configuration, source and display control via CEC, RS-232 and IR, manual or automated source selection, IR pass-through and control via front panel, IR, RS-232 and TCP/IP.

The AMF42AU is an ideal product for your boardroom, classroom or huddle-space application.

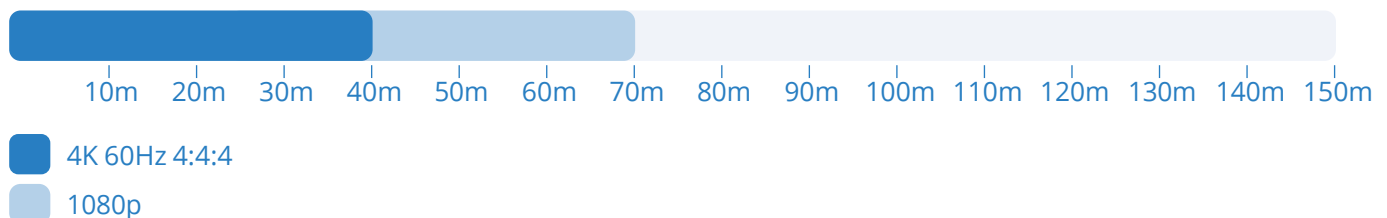


Key Features

- Features 3 x HDMI and 1 x USB-C inputs which can be independently routed to 2 x HDMI / HDBaseT™ outputs
- Dual HDMI / HDBaseT™ on output 2
- Advanced HDBaseT™ technology offering distribution of video and audio over a single CAT cable up to 70m 1080p (4K up to 40m)*
- Advanced Colour Space Conversion (CSC) supports HDMI 2.0 18Gbps specification*
- Independent video scaling on outputs
- Supports resolutions up to 4K UHD 60Hz 4:4:4 and 2ch PCM audio only
- Seamless source switching with manual or auto source selection
- Supports USB Type C up to 4K UHD 60Hz 4:4:4, DP1.2 with 40W charging capability (resolution limited to 4K 60Hz 4:2:0 where providing power to connected source device)
- Audio breakout to analogue L/R audio and Toslink (S/PDIF) digital outputs concurrently
- ARC breakout available via S/PDIF when using RX70CS receiver
- Analogue audio inputs and output support both balanced and unbalanced audio
- Features MIC mixer over source audio with independent level adjustment
- MIC input supports line level or 48V/0.5mA Phantom power
- Configurable source and display control via CEC, RS-232 and IR
- Web interface module for control and configuration of matrix
- 3rd party drivers available for major control brands
- HDCP 2.2 compliant with advanced EDID management

**All features designed to work with the Blustream RX70CS HDBaseT™ receiver. HDBaseT™ output is compatible with all Blustream receivers however functionality may vary. Refer to product manual for compatibility before connecting.*

Transmission Distance via Cat6





Connectivity

- **Video Input Connectors:** 3 x HDMI Type A, 19-pin, female, 1 x USB-C Type C
- **Video Output Connectors:** 2 x HDMI Type A, 19-pin, female, 1 x HDBaseT™ RJ45 connector
- **Audio Input Connectors:** 2 x 5-pin phoenix connector (2ch balanced / unbalanced analogue audio)
- **MIC Input Connectors:** 1 x 3-pin phoenix connector
- **Audio Output Connectors:** 1 x 5-pin phoenix connector (2ch balanced / unbalanced analogue audio), 1 x Optical Toslink (S/PDIF)
- **RS-232 Serial Ports:** 1 x 3-pin phoenix connector
- **TCP/IP Control:** 1 x RJ45, female
- **IR Input Ports:** 2 x 3.5mm stereo jack
- **IR Output Ports:** 1 x 3.5mm mono jack
- **Product Upgrade:** 1 x USB Type A female

Specifications

- **Rack Mountable:** 1U rack height, rack ears included
- **Dimensions (L x W x H):** 436.4mm x 270mm x 56.5mm (with feet and connections)
- **Dimensions (L x W x H):** 436.4mm x 263.5mm x 44mm (without feet and connections)
- **Shipping Weight:** 4.05Kg
- **Operating Temperature:** 32°F to 104°F (-5°C to +55°C)
- **Storage Temperature:** -4°F to 140°F (-20°C to 60°C)
- **Power Supply:** 24V/5A DC

Included Accessories

IR Accessories	1 x IRR, 1 x IRE
IR Remote	1 x IR Remote
Serial Cable	1 x DB9 to 3-pin Phoenix Cable
Rack Mount	2 x 19" Wings
Power Supply	24V/5A DC

Control

TCP/IP
RS-232
Web GUI
IR
Front Panel

RS-232 Connectivity

Baud Rate:	57600 bps
Data Bit:	8-bit
Parity:	None
Stop Bit:	1-bit
Flow Control:	None

Regulatory Compliance



CAN ICES-3 (B)/NMB-3(B)

Blustream cannot be held responsible for errors in typography or photography. Specifications are subject to change without notice.